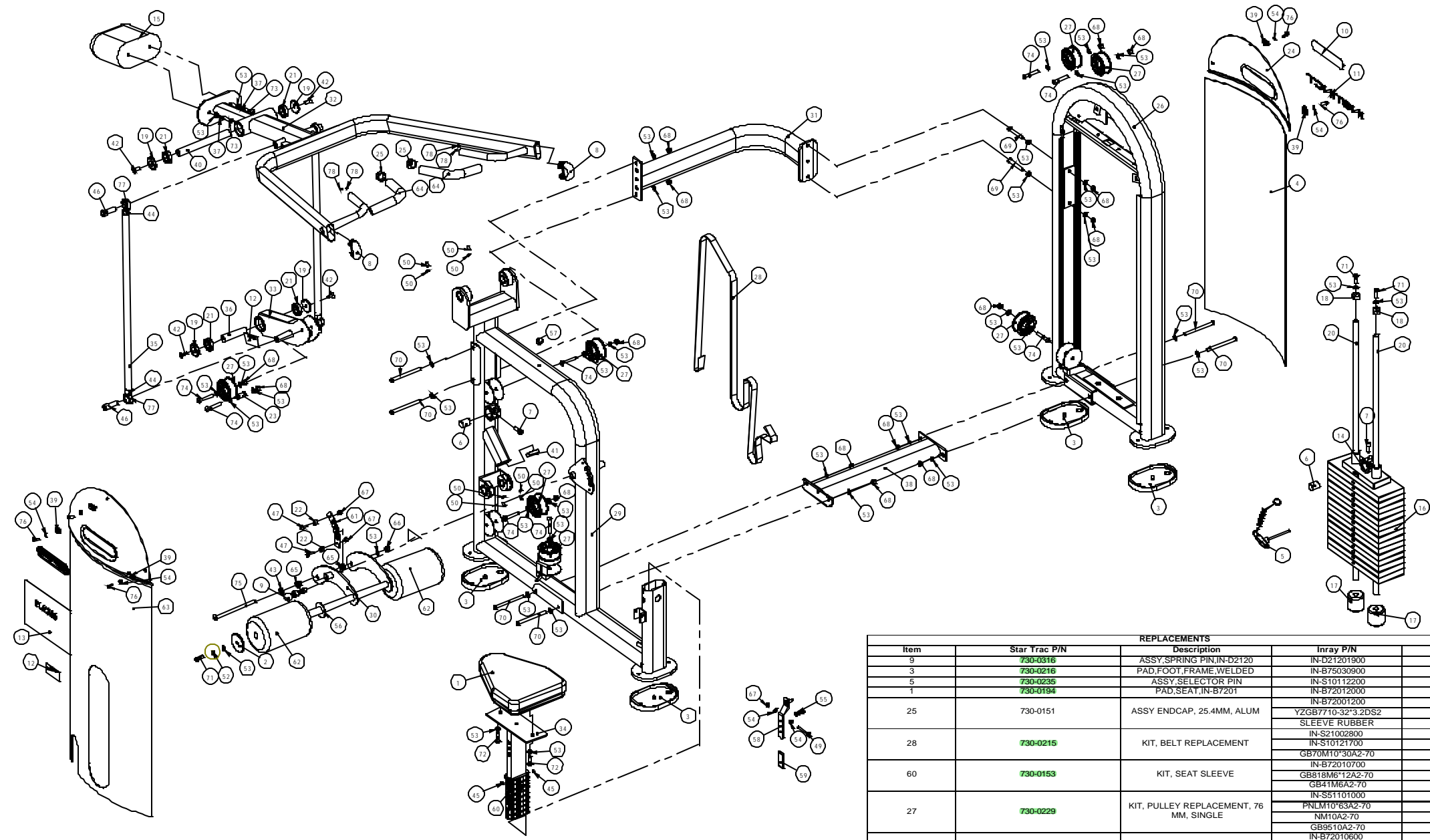


REVISION HISTORY				
REV	DATE	DESCRIPTION	ECO	BY
A	11-07-06	PRODUCTION RELEASE	11508	SMS
B	6-27-07	UPDATE 3D MODEL & P/N	11657	AK
C	08-30-07	UPDATED BOM STARTRAC P/N # IS-730-1103 WAS <del>730-1106</del>	11708	



ITEM NO.	STARTRAC P/N	INRAY P/N	DESCRIPTION	QTY.
1	730-0194	IN-B72012000	PAD, SEAT, IN-B7201	1
2	730-0200	IT80053800	PLUG, KNEE PAD, 75X10.5, S1012	2
3	730-0216	IN-B75030900	PAD, FOOT, FRAME, WELDED	4
4	730-0233	IN-S10121500	SHROUD, REAR, IN-S5100	1
5	730-0235	IN-S1012200	ASSY, SELECTOR PIN	1
6	730-0236	IN-S10121700	PIN, BELT ANCHOR	2
7	730-0237	GB70M10-30A2-70NL	SCREW, M10x30, SHS, SS	2
8	730-0292	IN-S21003000	CAP, ARMS, IN-S2100	2
9	730-0316	IN-D21201900	ASSY, SPRING PIN, IN-2120	1
10	730-0383	STARTRAC1	LOGO, STARTRAC	2
11	730-0384	Instinct	LOGO, INSTINCT	1
12	730-0385	CAUTION	LABEL, CAUTION, PINCH POINT	2
13	730-0403	TZ7SS3310	PLACARD, INSTRUCTION, IN-S3310	1
14	730-0522	730-0522	ASSY, TOP PLATE, 15 HOLES, IN	1
15	730-0551	IN-S33101400	COUNTERBALANCE, IN-S3310	1
16	730-0556	XZT235	WSB MAIN, (5 x WSS)	1
17	730-0562	IN-D10132900	BUMPER, STACK, 60MM	2
18	730-0565	IT80129500	CAP, END, HANDLE	2
19	730-0566	IN-S51102100	CAP, 50MM OD	4
20	730-0662	IN-S21001300	WEIGHT STACK GUIDE RAIL	2
21	730-0679	GB276605-22	ISO 15 RBB - 1025 - 14 SI, NC, 14, .68	4
22	730-0679	IN-S10111200	STOPPER, IN-S1011	2
23	730-0680	IN-D10154400	BELT GUIDE, M19X39	1
24	730-0702	IN-D10132800	SHROUD, UPPER	2
25	730-0704	IN-B72001200	CAP, 25MM ALUMINUM	2
26	730-0719	IN-S33100100	WEIGHT STACK, FRAME	1
27	730-0721	IN-S51101000	PULLEY, 75MM	7
28	730-0728	IN-S10112000	BELT	1
29	730-0831	IN-S33100200	ASSY, MAIN FRAME	1
30	730-0832	IN-S33100300	ASSY, PIVOT, KNEE, ADJUSTMENT	1
31	730-0833	IN-S33100400	CROSSBEAM, UPPER, FRAME	1
32	730-0834	IN-S33100500	LEVERAGE ARM, U-SHAPE, IN-S3310	1
33	730-0835	IN-S33100600	PIVOT, FRAME, PULLY BRACKET	1
34	730-0836	IN-S33100700	SEAT POST, ADJUSTMENT, IN-S3310	1
35	730-0837	IN-S33100800	SHAFT, M25X167	2
36	730-0838	IN-S33101000	SHAFT, M25X104	1
37	730-0839	IN-S33101300	WASHER, M10, LOCKING, IN-S3310, SS	2
38	730-0840	IN-S33200400	CROSSBEAM, LOWER, FRAME	1
39	730-0845	IN-S21004800	SHROUD, MOUNTING, U-STYLE, CLIP	6
40	730-0846	IN-S33200800	SHAFT, 25MM X 234	1
41	730-0850	83004700	BUMPER, 45X25	1
42	730-0870	CNLM10-25A2-70	SCREW, M10X25, FHM, HK, SS	4
43	730-0876	DO12A2-70	WASHER, M12, FENDER, SS	1
44	730-0884	GB41M16A2-70	NUT, M16, HEX, SS	4
45	730-0885	GB41M6A2-70	NUT, M6, JAM, HEX, SS	2
46	730-0887	GB70M16-40A2-70	SCREW, M16X40, SHS, SS	4
47	730-0889	GB70M8-20A2-70NL	SCREW, M8X20, SHC	2
48	730-0891	GB70M8-30A2-70NL	SCREW, M8X30, SHS, SS	1
49	730-0892	GB70M8-55A2-70	SCREW, M8X55, SHS, SS	1
50	730-0896	GB77M8-16A2-70	SCREW, M8X16, SET, SS	8
51	730-0899	GB818M6-12A2-70	SCREW, M6X12, BHC, SS	2
52	730-0907	GB9310D512	WASHER, M10, SPLIT, LOCK, SS	2
53	730-0908	GB9510A2-70	WASHER, M10, FLAT, SS	43
54	730-0910	GB958A2-70	WASHER, M8, BELLEVILLE, SS	8
55	730-0921	HF1642303	ADJUSTMENT HANDLE, COMPRESSION SPING	1
56	730-0922	HF1652100	SPACER, 26MM ID, 60MM OD	2
57	730-0933	HF3574000	BUMPER	1
58	730-0930	IN-B72010600	ASSY, EXTENSION, ADJUSTMENT HANDLE	1
59	730-0935	IN-B72011400	ASSY, ADJUSTMENT HANDLE, END, SLEEVE	1
60	730-0936	IN-B72011700	ASSY, TUBE, INSERT, SLEEVE	2
61	730-1067	IN-S33100900	STOP, ROM, IN-S33100	1
62	730-1068	IN-S33101100	ROLLER, LEG, PAD, M140X215	2
63	730-1070	IN-S33200900	SHROUD, ELONGATE, INNER	1
64	730-1071	IN-S33201000	LEVERAGE ARM, HANDLE, GRIP, SLEEVE	2
65	730-1099	M01402000	BUSHING, 12MM ID X 13MM	2
66	730-1102	NM12A2-70	NYLOC SELF LOCKING NUT, ST STL A2 ISO	1
67	730-1103	NM8A2-70	NUT, M8, NYLON PATCH, SS	3
68	730-1104	NM10A2-70	NUT, M10, NYLON PATCH, SS	16
69	730-1109	PNLM10-80A2-70	SCREW, M10X80, BH, SS	2
70	730-1112	PNLM10-130A2-70	SCREW, M10X130, BH, SS	6
71	730-1118	PNLM10-30A2-70	SCREW, M10, BHC, HK, SS	4
72	730-1119	PNLM10-35A2-70	SCREW, M10X35, BH, SS	2
73	730-1121	PNLM10-45A2	SCREW, M10X45, BHC, SS	2
74	730-1122	PNLM10-63A2-70	SCREW, M10X63, BHC, SS	8
75	730-1134	PNLM12-18A2-70	SCREW, M12X18, BHC, SS	1
76	730-1138	PNLM8-20A2-70	SCREW, M8X20, BHC, SS	6
77	730-1149	SABJK16C	HEM, JOINT, BOLT	4
78	730-1155	YZGB7710-32X3.2DS2	SCREW, 10-32X3.2, SET	4

Item	Star Trac P/N	Description	Inray P/N	Qty
9	730-0316	ASSY, SPRING PIN, IN-D2120	IN-D21201900	1
3	730-0216	PAD, FOOT, FRAME, WELDED	IN-B75030900	4
5	730-0235	ASSY, SELECTOR PIN	IN-S10112200	1
1	730-0194	PAD, SEAT, IN-B7201	IN-B72012000	1
25	730-0151	ASSY, ENDCAP, 25.4MM, ALUM	YZGB7710-32X3.2DS2	2
			SLEEVE RUBBER	2 FT
28	730-0215	KIT, BELT REPLACEMENT	IN-S21002800	15.5
			IN-S10121700	2
60	730-0153	KIT, SEAT SLEEVE	GB70M10-30A2-70	1
			IN-B72010700	1
			GB818M6-12A2-70	1
			GB41M6A2-70	1
			IN-S51101000	1
27	730-0229	KIT, PULLEY REPLACEMENT, 76 MM, SINGLE	PNLM10-63A2-70	1
			NM10A2-70	1
			GB9510A2-70	2
			IN-B72010600	1
28	730-0251	KIT ADJUSTMENT HANDLE, IN-D1014	IN-B72011400	1
			HF1642303	1
			GB70M8-55A2-70	1
			GB958A2-70	1
2	730-0305	KIT, KNEE PAD, IND3340	IN-DS3400500	1
			IT80053800	1
			HF1652100	1
			GB9510A2-70	1
			GB9310DG12	1
			PNLM10-30-30A2-70	1
			IN-S33100900	1
61	730-0317	KIT, KNEE ADJUSTMENT PLATE, IN-S3310	IN-S10111200	2
			GB70M8-20A2-70	2
N/A	730-0185	KIT, HARDWARE, IN-S3310	??	n/a

NOTES:

UNLESS OTHERWISE SPECIFIED DIMS ARE IN MM. TOLERANCES FOR MEASURE OF LENGTH ARE:

CLASS OF WORK	05 to 3	>3 to 6	>6 to 30	>30 to 120	>120 to 400	>400 to 1000	>1000 to 2000	>2000
FINE	±.05	±.05	±.1	±.15	±.2	±.3	±.5	—
MEDIUM	±.1	±.1	±.2	±.3	±.5	±.8	±.2	±.4
COARSE	±.2	±.3	±.5	±.8	±.12	±.2	±.4	±.6
VERY COARSE	—	±.5	±.1	±.15	±.25	±.4	±.6	±.8

DOCUMENT STATUS: RELEASE

MATERIAL	FINISH	VENDOR
SEE BOM	FRAME COLOR: STAR TRAC SILVER (HP FULLER) UPHOLSTERY COLOR: STAR TRAC GREY (SLATE)	N/A

THIRD ANGLE PROJECTION

UNISEN, INC. DBA STAR TRAC 14410 Myford Road Irvine CA 92606

DATE: 08/14/07

DRAWN: AK

CHECKED: AK

APPROVED: AK

SCALE: 1:33.3

SHEET 1 OF 1

SHEET SIZE: B